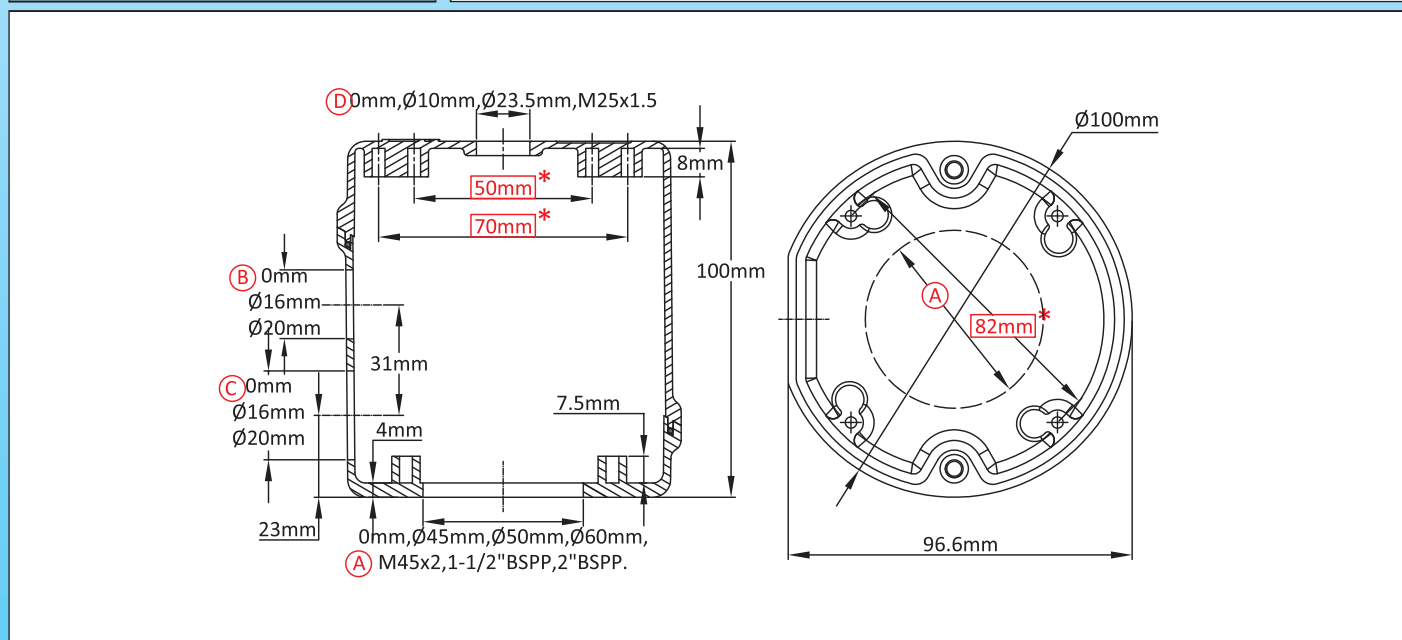


Boitier rond de thermoplongeur ou de capteur de température. En PA66



Taille(mm)	Volume(cm ³)	Matière	Degrés de protection		Modèle
Dia. 100 x 100	700	PA66	IP69K	IK10	Y306 (P1)

Utilisable pour
<input type="checkbox"/> Capteur de température
<input checked="" type="checkbox"/> Thermoplongeur
<input type="checkbox"/> Résistance à ailettes
<input checked="" type="checkbox"/> Thermostat
<input type="checkbox"/> Détecteur de niveau
<input type="checkbox"/> Carte électronique



Références principales

A(mm)	B(mm)	C(mm)	D(mm)	Références	A(mm)	B(mm)	C(mm)	D(mm)	Références
0	0	0	0	Y30600000000000T	0	16	20	10	Y306000A2C00000T
0	0	0	10	Y306000A00000000T	0	16	20	23.5	Y306000D2C00000T
0	0	0	23.5	Y306000D00000000T	0	16	20	M25x1.5	Y306000F2C00000T
0	0	0	M25x1.5	Y306000F00000000T	0	20	20	0	Y30600002200000T
0	0	16	0	Y30600001160000T	0	20	20	10	Y306000A2200000T
0	0	16	10	Y306000A1160000T	0	20	20	23.5	Y306000D2200000T
0	0	16	23.5	Y306000D1160000T	0	20	20	M25x1.5	Y306000F2200000T
0	0	16	M25x1.5	Y306000F1160000T	45	0	0	0	Y30645000000000T
0	0	20	0	Y30600001200000T	45	0	0	10	Y306450A00000000T
0	0	20	10	Y306000A1200000T	45	0	0	23.5	Y306450D00000000T
0	0	20	23.5	Y306000D1200000T	45	0	0	M25x1.5	Y306450F00000000T
0	0	20	M25x1.5	Y306000F1200000T	45	0	16	0	Y30645001160000T
0	16	16	0	Y30600002160000T	45	0	16	10	Y306450A1160000T
0	16	16	10	Y306000A2160000T	45	0	16	23.5	Y306450D1160000T
0	16	16	23.5	Y306000D2160000T	45	0	16	M25x1.5	Y306450F1160000T
0	16	16	M25x1.5	Y306000F2160000T	45	0	20	0	Y30645001200000T
0	16	20	0	Y30600002C00000T	45	0	20	10	Y306450A1200000T

Presse étoupe non inclus dans les références ci-dessus. Nous consulter si vous les souhaitez.
 Les dimensions encadrées en rouge sont celles prévues pour le montage des accessoires.

Boitier rond de thermoplongeur ou de capteur de température. En PA66

Y306
(P2)



En raison de l'évolution technique constante de nos produits, les plans, dessins, photos et caractéristiques repris dans les pages techniques sont communiqués sans engagement et peuvent être modifiés sans préavis

⌀A (mm)	⌀B (mm)	⌀C (mm)	⌀D (mm)	Références	⌀A (mm)	⌀B (mm)	⌀C (mm)	⌀D (mm)	Références
45	0	20	23.5	Y306450D1200000T	M45×2	0	16	10	Y306M45A1600000T
45	0	20	M25×1.5	Y306450F1200000T	M45×2	0	16	23.5	Y306M45D1600000T
45	16	16	0	Y306450021600000T	M45×2	0	16	M25×1.5	Y306M45F1600000T
45	16	16	10	Y306450A2160000T	M45×2	0	20	0	Y306M4501200000T
45	16	16	23.5	Y306450D2160000T	M45×2	0	20	10	Y306M45A1200000T
45	16	16	M25×1.5	Y306450F2160000T	M45×2	0	20	23.5	Y306M45D1200000T
45	16	20	0	Y30645002C000000T	M45×2	0	20	M25×1.5	Y306M45F1200000T
45	16	20	10	Y306450A2C000000T	M45×2	16	16	0	Y306M4502160000T
45	16	20	23.5	Y306450D2C000000T	M45×2	16	16	10	Y306M45A2160000T
45	16	20	M25×1.5	Y306450F2C000000T	M45×2	16	16	23.5	Y306M45D2160000T
45	20	20	0	Y30645002200000T	M45×2	16	16	M25×1.5	Y306M45F2160000T
45	20	20	10	Y306450A2200000T	M45×2	16	20	0	Y306M4502C00000T
45	20	20	23.5	Y306450D2200000T	M45×2	16	20	10	Y306M45A2C00000T
45	20	20	M25×1.5	Y306450F2200000T	M45×2	16	20	23.5	Y306M45D2C00000T
50	0	0	0	Y3065000000000000T	M45×2	16	20	M25×1.5	Y306M45F2C00000T
50	0	0	10	Y306500A0000000000T	M45×2	20	20	0	Y306M4502200000T
50	0	0	23.5	Y306500D0000000000T	M45×2	20	20	10	Y306M45A2200000T
50	0	0	M25×1.5	Y306500F0000000000T	M45×2	20	20	23.5	Y306M45D2200000T
50	0	16	0	Y306500016000000T	M45×2	20	20	M25×1.5	Y306M45F2200000T
50	0	16	10	Y306500A160000000T	1½"BSPP	0	0	0	Y306BA2000000000T
50	0	16	23.5	Y306500D160000000T	1½"BSPP	0	0	10	Y306BA2A000000000T
50	0	16	M25×1.5	Y306500F160000000T	1½"BSPP	0	0	23.5	Y306BA2D000000000T
50	0	20	0	Y306500012000000T	1½"BSPP	0	0	M25×1.5	Y306BA2F000000000T
50	0	20	10	Y306500A120000000T	1½"BSPP	0	16	0	Y306BA2011600000T
50	0	20	23.5	Y306500D120000000T	1½"BSPP	0	16	10	Y306BA2A11600000T
50	0	20	M25×1.5	Y306500F120000000T	1½"BSPP	0	16	23.5	Y306BA2D11600000T
50	16	16	0	Y306500021600000T	1½"BSPP	0	16	M25×1.5	Y306BA2F11600000T
50	16	16	10	Y306500A21600000T	1½"BSPP	0	20	0	Y306BA2012000000T
50	16	16	23.5	Y306500D21600000T	1½"BSPP	0	20	10	Y306BA2A12000000T
50	16	16	M25×1.5	Y306500F21600000T	1½"BSPP	0	20	23.5	Y306BA2D12000000T
50	16	20	0	Y30650002C000000T	1½"BSPP	0	20	M25×1.5	Y306BA2F12000000T
50	16	20	10	Y306500A2C000000T	1½"BSPP	16	16	0	Y306BA2021600000T
50	16	20	23.5	Y306500D2C000000T	1½"BSPP	16	16	10	Y306BA2A21600000T
50	16	20	M25×1.5	Y306500F2C000000T	1½"BSPP	16	16	23.5	Y306BA2D21600000T
50	20	20	0	Y306500022000000T	1½"BSPP	16	16	M25×1.5	Y306BA2F21600000T
50	20	20	10	Y306500A220000000T	1½"BSPP	16	20	0	Y306BA202C000000T
50	20	20	23.5	Y306500D220000000T	1½"BSPP	16	20	10	Y306BA2A2C000000T
50	20	20	M25×1.5	Y306500F220000000T	1½"BSPP	16	20	23.5	Y306BA2D2C000000T
60	0	0	0	Y3066000000000000T	1½"BSPP	16	20	M25×1.5	Y306BA2F2C000000T
60	0	0	10	Y306600A0000000000T	1½"BSPP	20	20	0	Y306BA2022000000T
60	0	0	23.5	Y306600D0000000000T	1½"BSPP	20	20	10	Y306BA2A22000000T
60	0	0	M25×1.5	Y306600F0000000000T	1½"BSPP	20	20	23.5	Y306BA2D22000000T
60	0	16	0	Y3066000116000000T	1½"BSPP	20	20	M25×1.5	Y306BA2F22000000T
60	0	16	10	Y306600A116000000T	2"BSPP	0	0	0	Y306BB2000000000T
60	0	16	23.5	Y306600D116000000T	2"BSPP	0	0	10	Y306BB2A0000000000T
60	0	16	M25×1.5	Y306600F116000000T	2"BSPP	0	0	23.5	Y306BB2D0000000000T
60	0	20	0	Y3066000120000000T	2"BSPP	0	0	M25×1.5	Y306BB2F0000000000T
60	0	20	10	Y306600A1200000000T	2"BSPP	0	16	0	Y306BB2011600000T
60	0	20	23.5	Y306600D1200000000T	2"BSPP	0	16	10	Y306BB2A11600000T
60	0	20	M25×1.5	Y306600F1200000000T	2"BSPP	0	16	23.5	Y306BB2D11600000T
60	16	16	0	Y3066000216000000T	2"BSPP	0	16	M25×1.5	Y306BB2F11600000T
60	16	16	10	Y306600A2160000000T	2"BSPP	0	20	0	Y306BB2012000000T
60	16	16	23.5	Y306600D2160000000T	2"BSPP	0	20	10	Y306BB2A12000000T
60	16	16	M25×1.5	Y306600F2160000000T	2"BSPP	0	20	23.5	Y306BB2D12000000T
60	16	20	0	Y30660002C00000000T	2"BSPP	0	20	M25×1.5	Y306BB2F12000000T
60	16	20	10	Y306600A2C00000000T	2"BSPP	16	16	0	Y306BB2021600000T
60	16	20	23.5	Y306600D2C00000000T	2"BSPP	16	16	10	Y306BB2A21600000T
60	16	20	M25×1.5	Y306600F2C00000000T	2"BSPP	16	16	23.5	Y306BB2D21600000T
60	20	20	0	Y3066000220000000T	2"BSPP	16	16	M25×1.5	Y306BB2F21600000T
60	20	20	10	Y306600A2200000000T	2"BSPP	16	20	0	Y306BB202C000000T
60	20	20	23.5	Y306600D2200000000T	2"BSPP	16	20	10	Y306BB2A2C000000T
60	20	20	M25×1.5	Y306600F2200000000T	2"BSPP	16	20	23.5	Y306BB2D2C000000T
M45×2	0	0	0	Y306M45000000000000T	2"BSPP	16	20	M25×1.5	Y306BB2F2C000000T
M45×2	0	0	10	Y306M45A000000000000T	2"BSPP	20	20	0	Y306BB2022000000T
M45×2	0	0	23.5	Y306M45D000000000000T	2"BSPP	20	20	10	Y306BB2A22000000T
M45×2	0	0	M25×1.5	Y306M45F000000000000T	2"BSPP	20	20	23.5	Y306BB2D22000000T
M45×2	0	16	0	Y306M45016000000000T	2"BSPP	20	20	M25×1.5	Y306BB2F22000000T